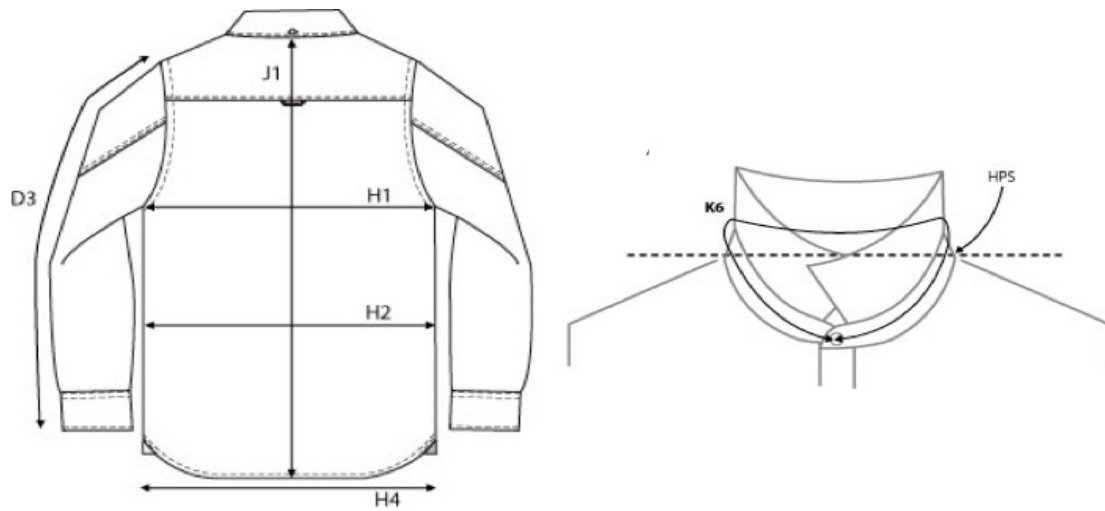
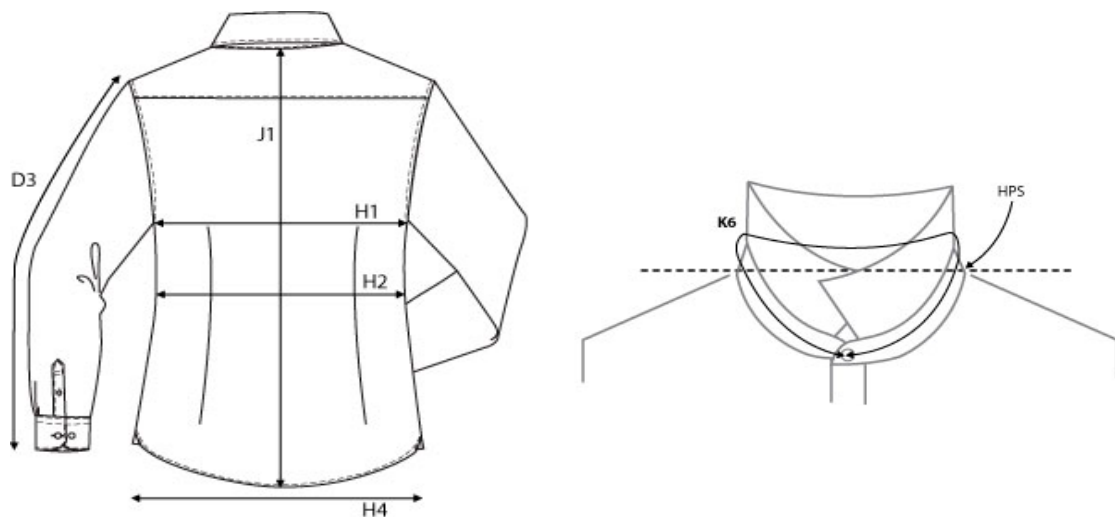


SIZE AND FIT: ROCHESTER



ROCHESTER Mens

Base size: M / Measurement (in cm)	Diagram	S	M	L	XL	XXL	3XL	4XL
COLLAR neck line CF to CF	K6	42	43,5	45	46,5	48	49,5	51
SLEEVE LENGTH from shoulder seam	D3	66,5	68	69,5	71,5	73,5	75,5	75,5
CHEST WIDTH at armhole	H1	54	56	58	61	64	67	70
WAIST	H2	52	54	56	59	62	65	68
BOTTOM WIDTH - RIB BOTTOM EDGE	H4	51	55	57	60	63	66	69
FULL LENGTH at centre back	J1	74	76	78	80	82	84	84



ROCHESTER Ladies

Base size: M / Measurement (in cm)	Diagram	XS	S	M	L	XL	XXL	3XL
COLLAR - neck line from CF to CF	K6	36	37,5	39	40,5	42	43,5	45
SLEEVE LENGTH from shoulder seam	D3	62	63	64	65	66	67	68
CHEST WIDTH at armhole	H1	46	47	50	53	56	60	64
WAIST	H2	38	42	44	47	50	54	58
BOTTOM WIDTH - RIB BOTTOM EDGE	H4	45	48	51	54	57	61	65
FULL LENGTH at centre back	J1	63	65	68	70	72	75	77