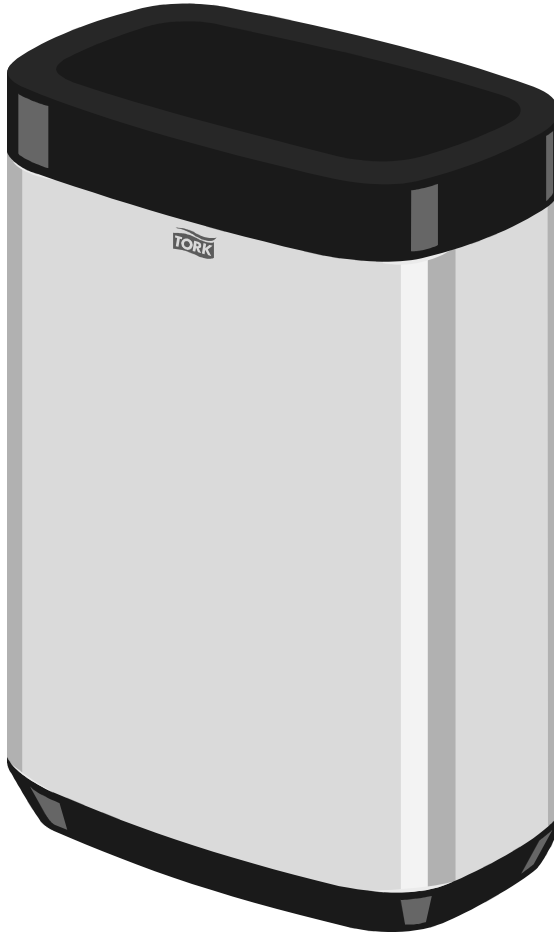
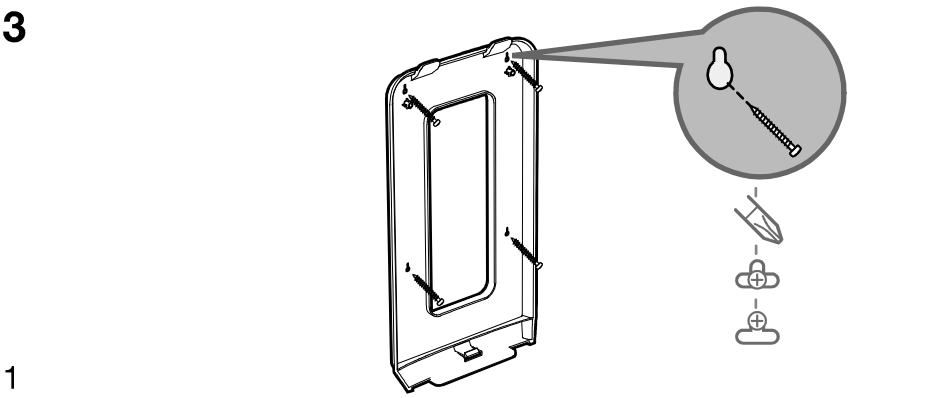
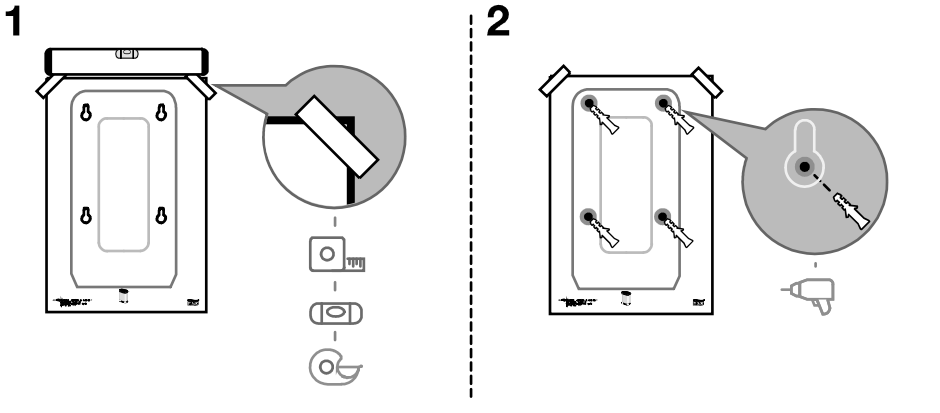
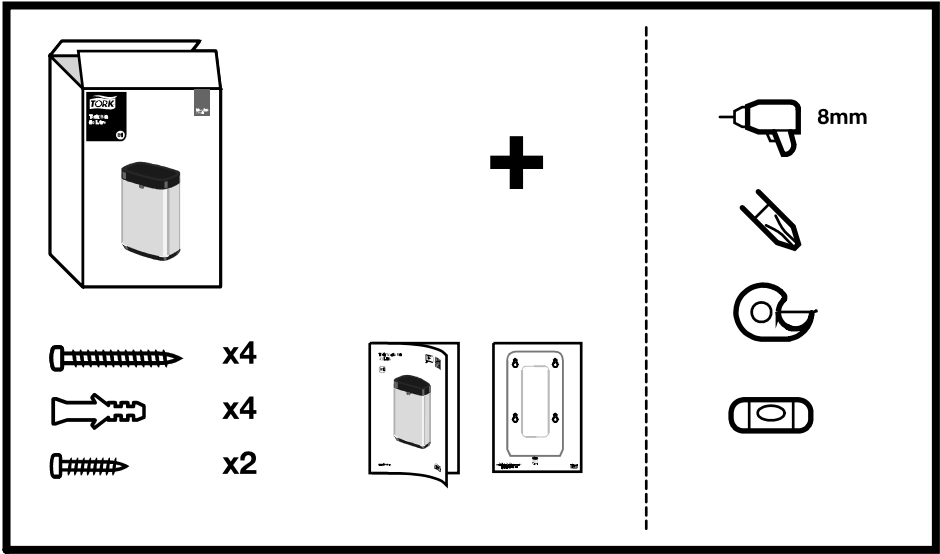


Tork Bin 50 Litre

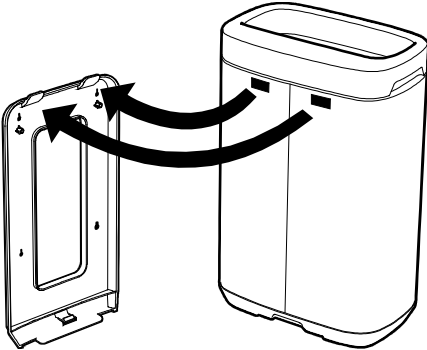
B1



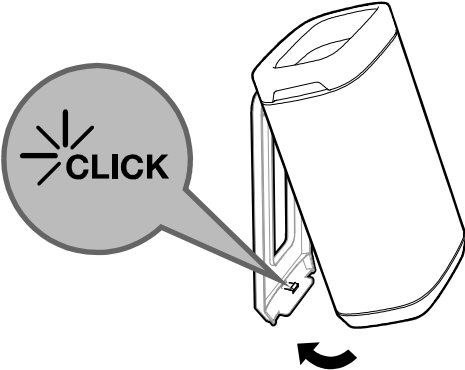
Tork Bin 50 Litre



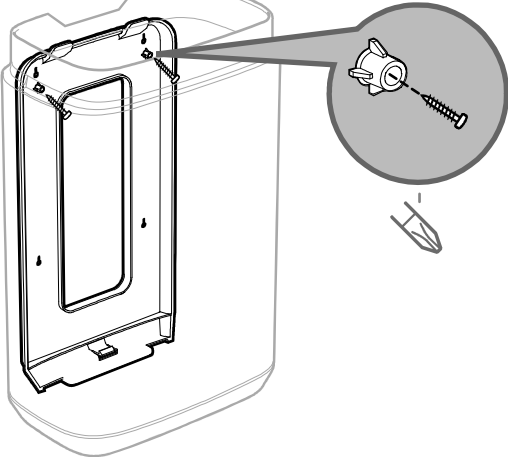
4



5

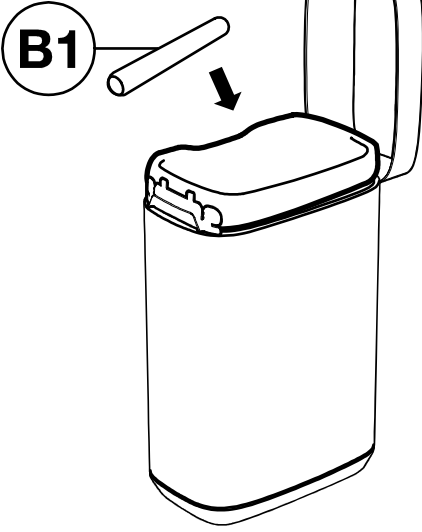


6

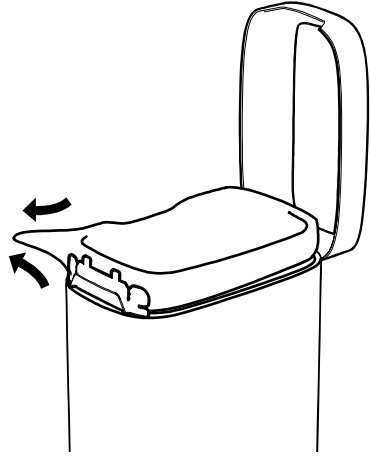


Tork Bin 50 Litre

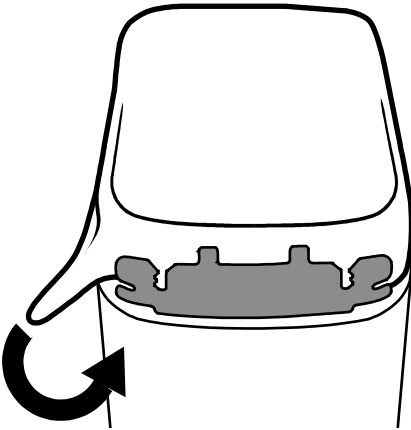
1



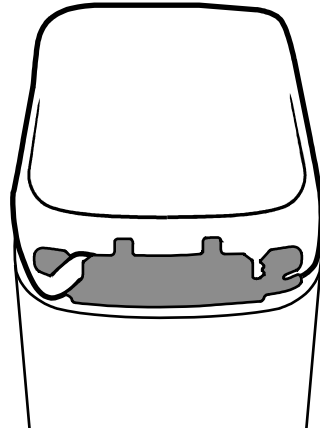
2



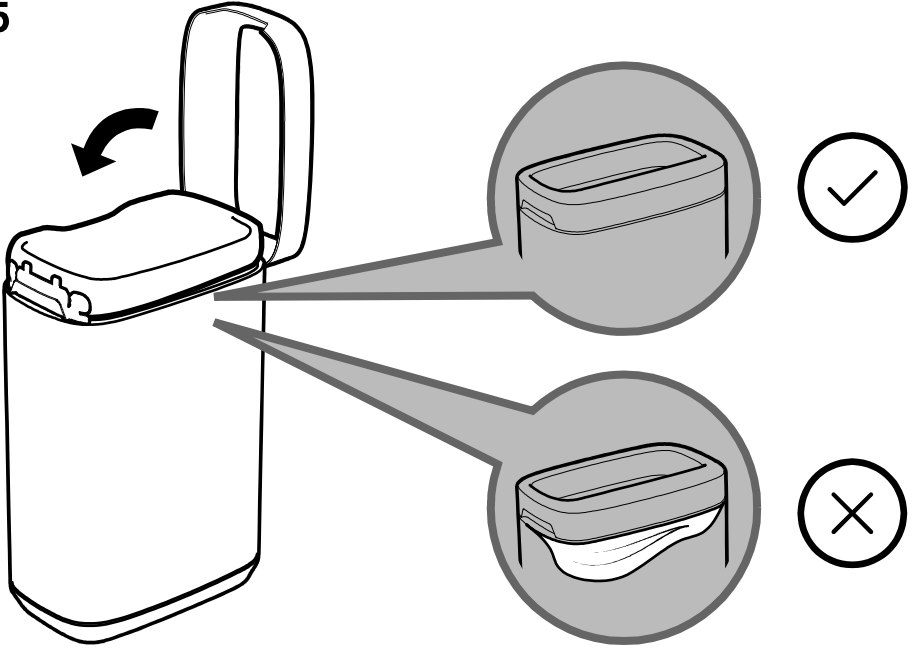
3



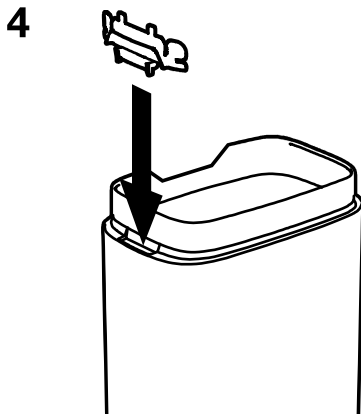
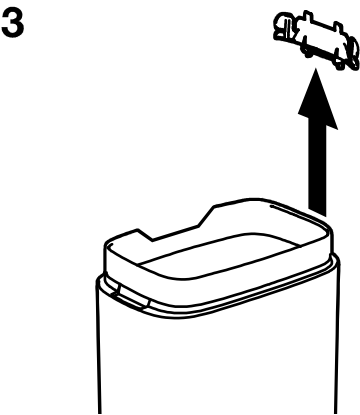
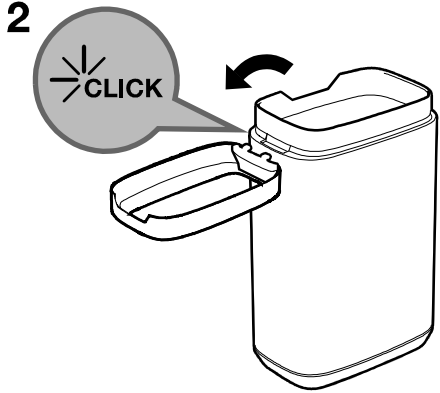
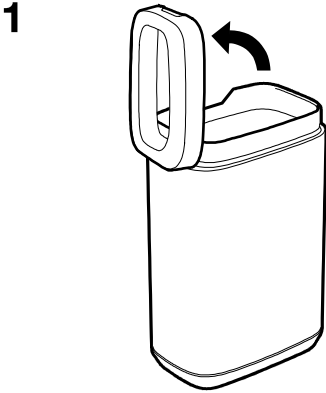
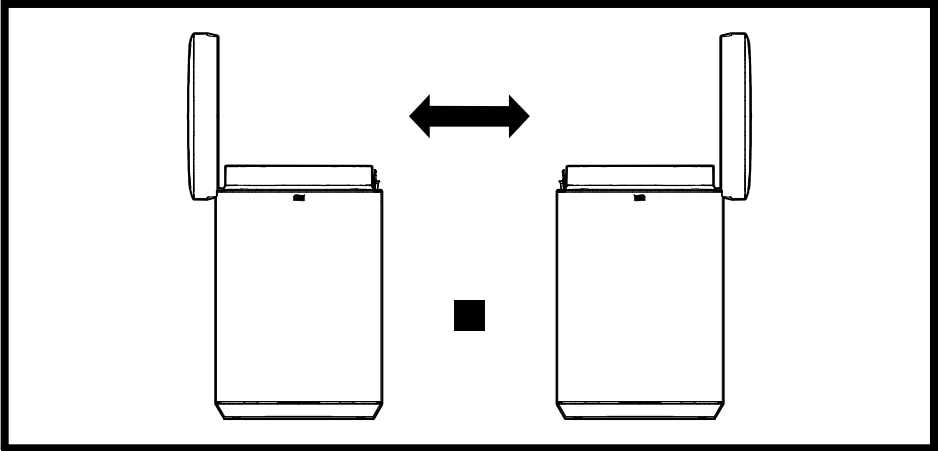
4



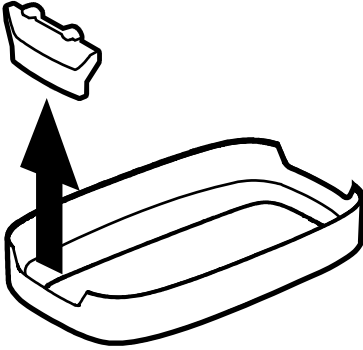
5



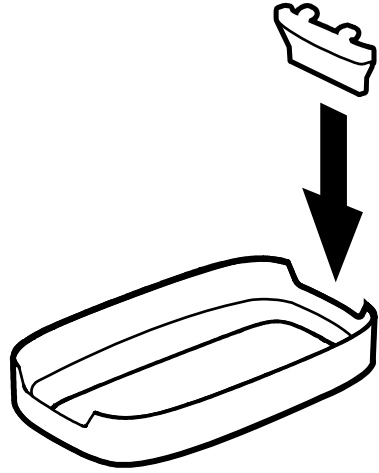
Tork Bin 50 Litre



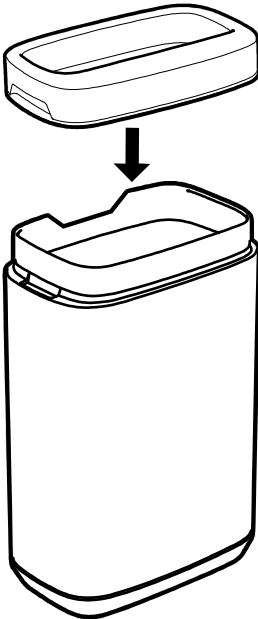
5



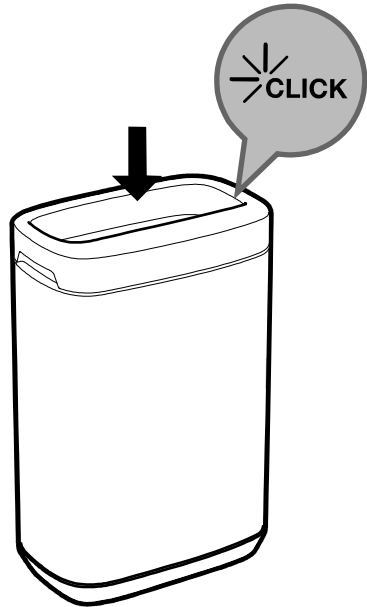
6



7



8



Disposal

- **Damaged or malfunctioning product should be disposed of immediately to avoid potential of injury**
- **Products should be disposed of in accordance with applicable regulations**

Cleaning instructions

- Clean dispenser with mild detergent and soft cloth

European community design registration RCD 002601922



essity

Manufactured by Essity Hygiene and Health AB
SE-40503 Göteborg, Sweden
www.essity.com, www.torkglobal.com
Made in Poland